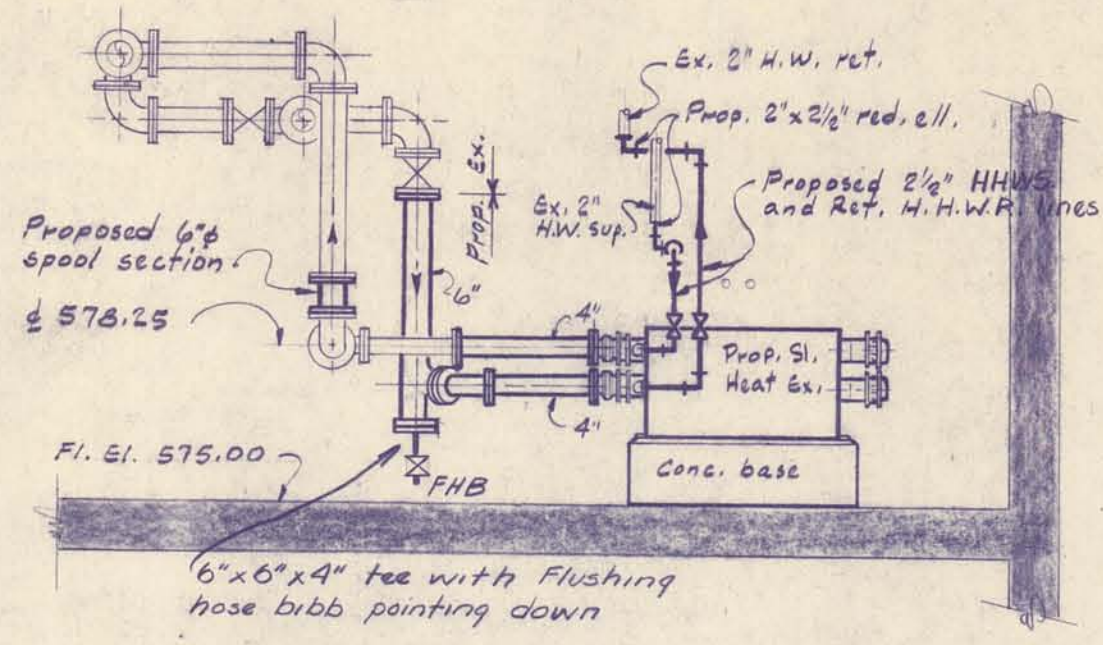
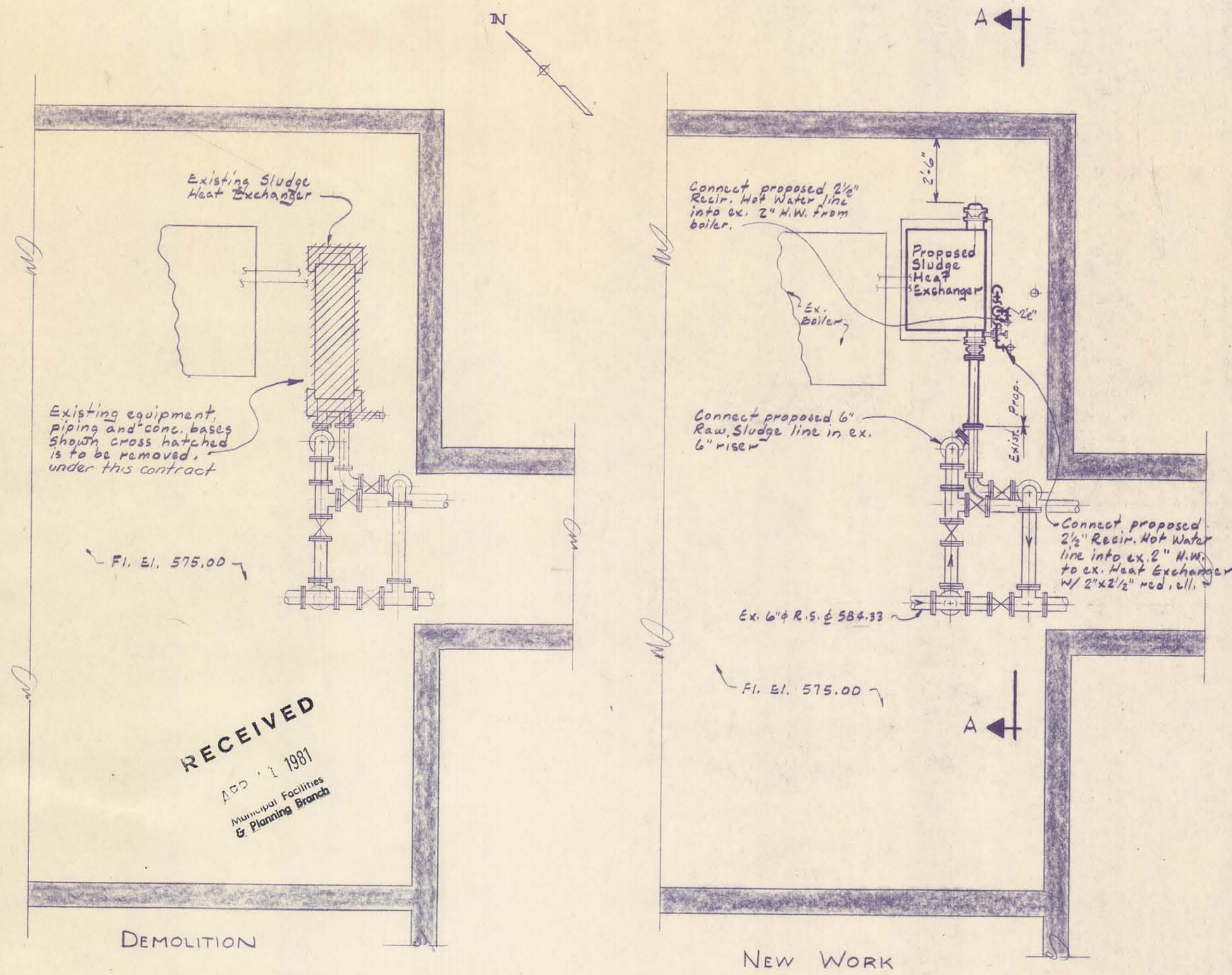
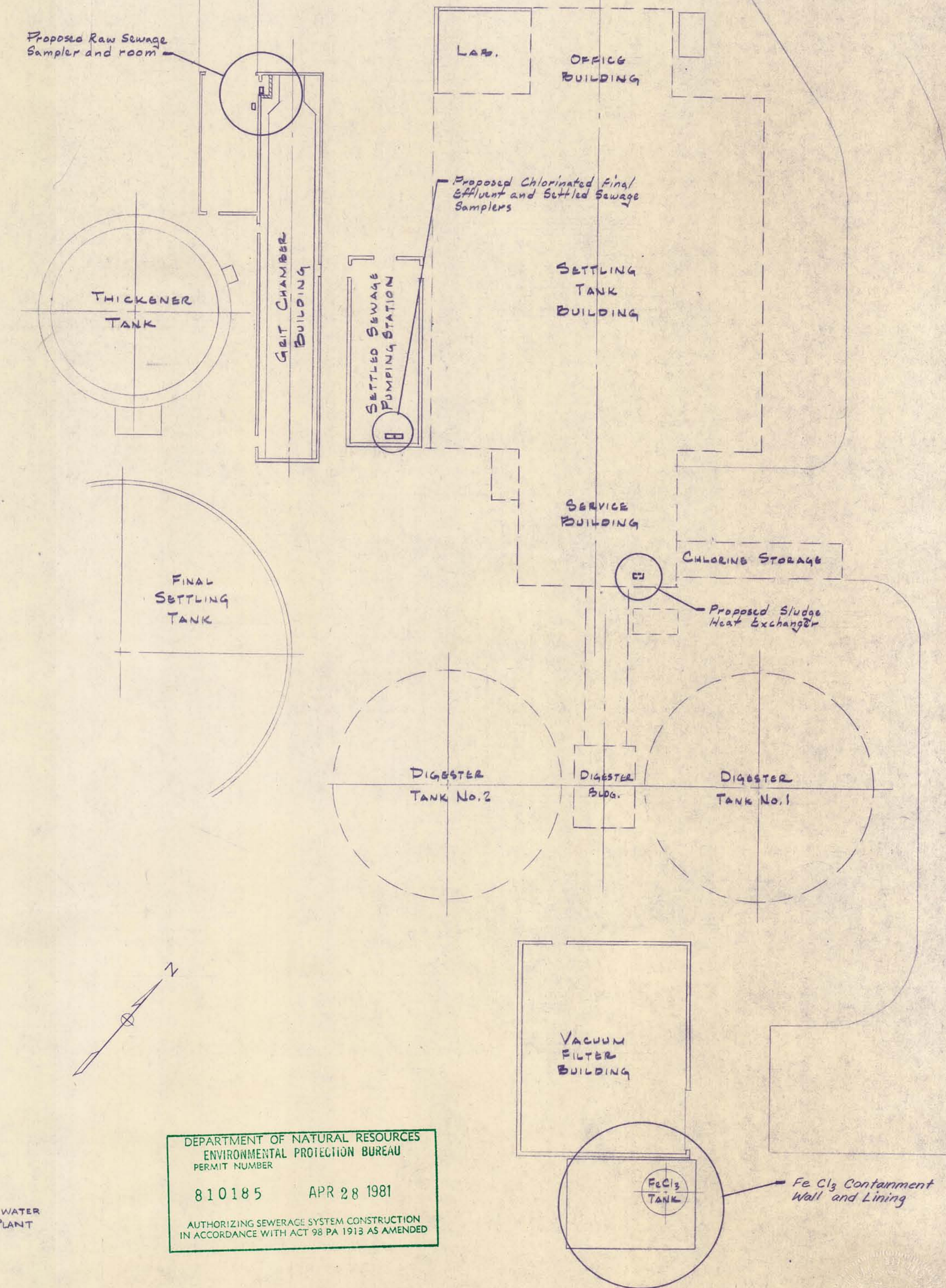


REDUCED BY PART NUMBER 6532

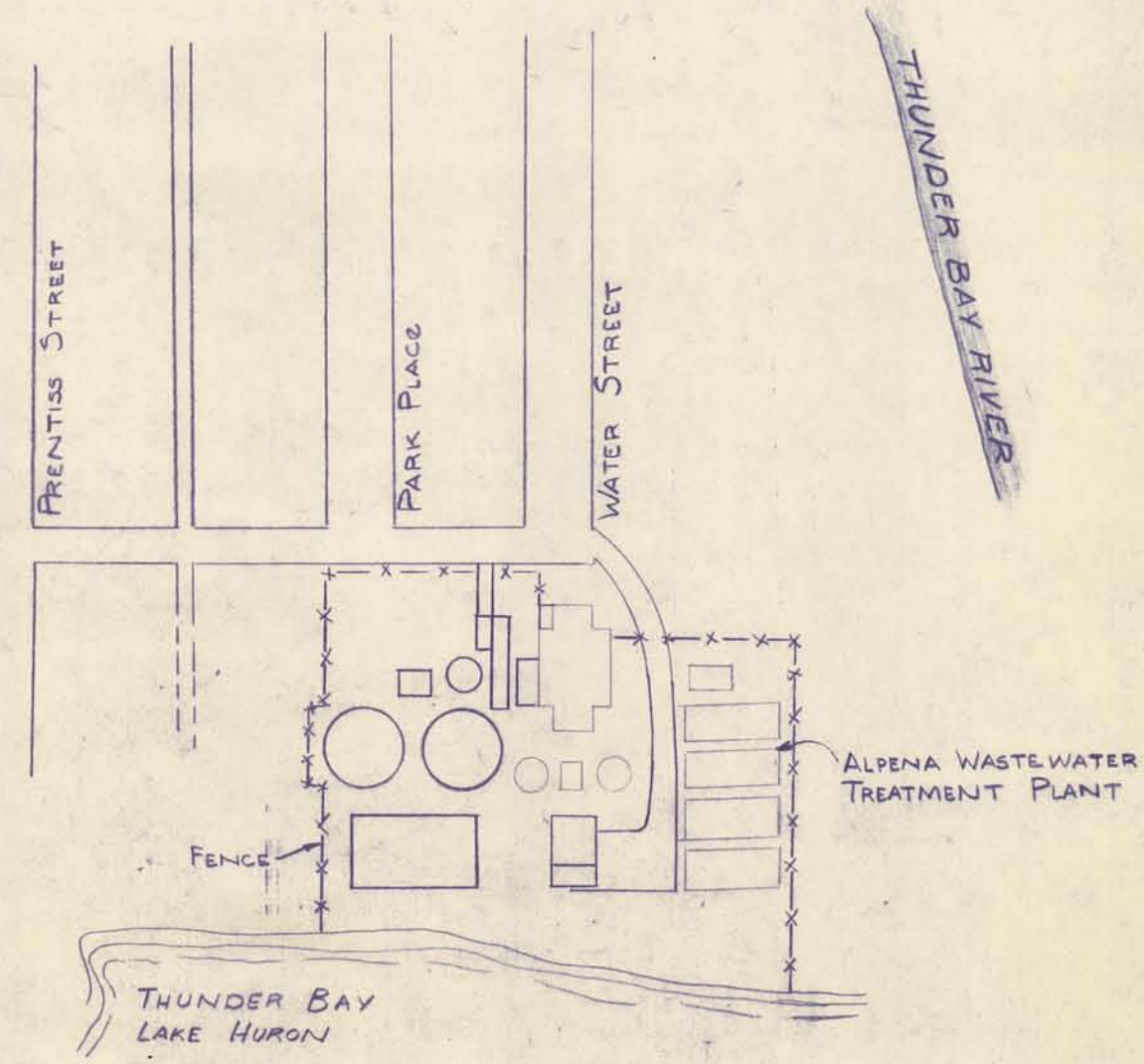
Note: There is an existing 3'x9' ± removable steel floor hatch in this building which may be used by the contractor. See sheet 2 for access details on the main floor.



SECTION A-A
1/4" = 1'-0"



SITE PLAN
1" = 20'-0"



LOCATION PLAN
1" = 200 FT.

DEPARTMENT OF NATURAL RESOURCES
ENVIRONMENTAL PROTECTION BUREAU
PERMIT NUMBER
810185 APR 28 1981
AUTHORIZING SEWERAGE SYSTEM CONSTRUCTION
IN ACCORDANCE WITH ACT 98 PA 1913 AS AMENDED

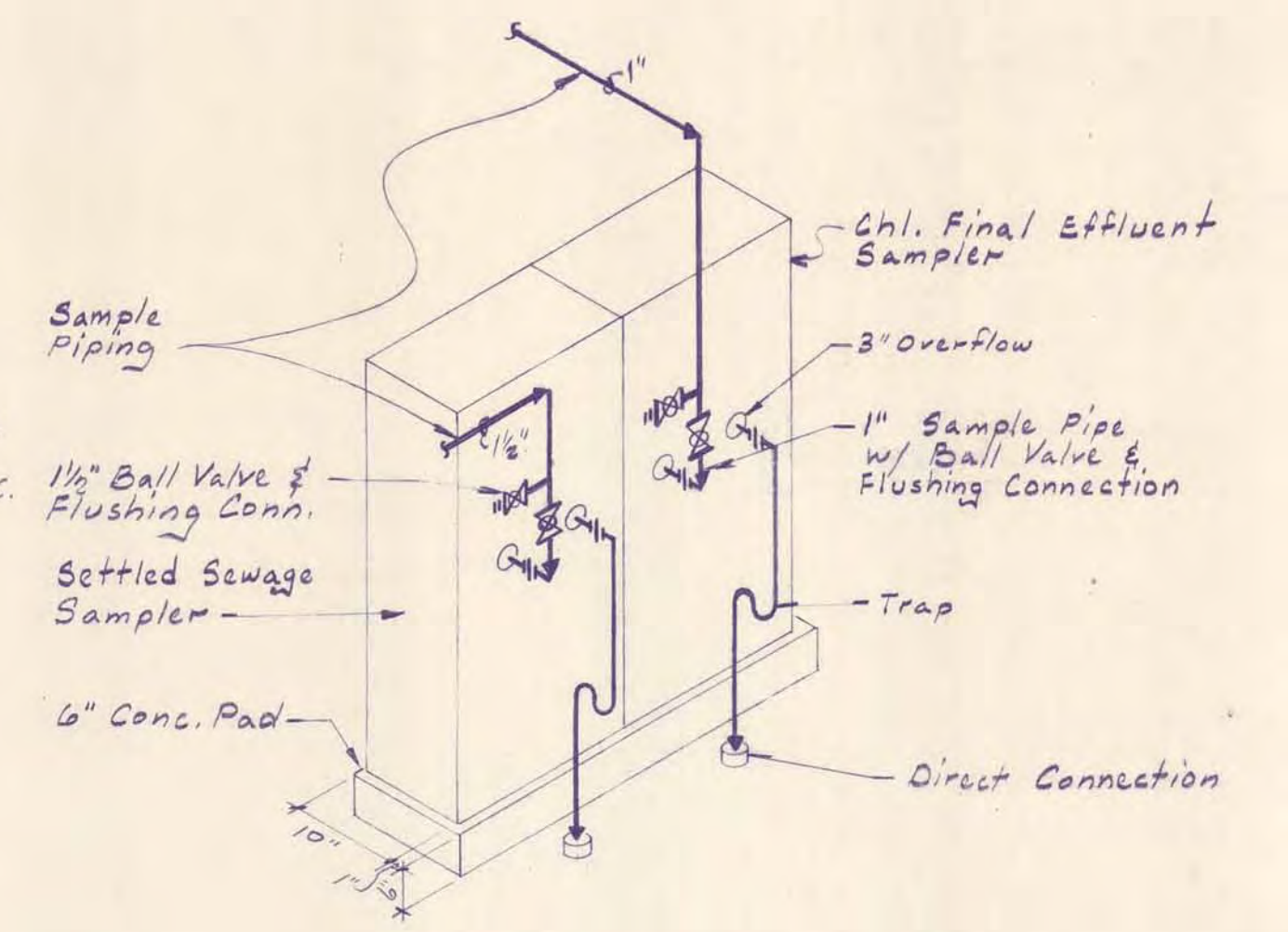
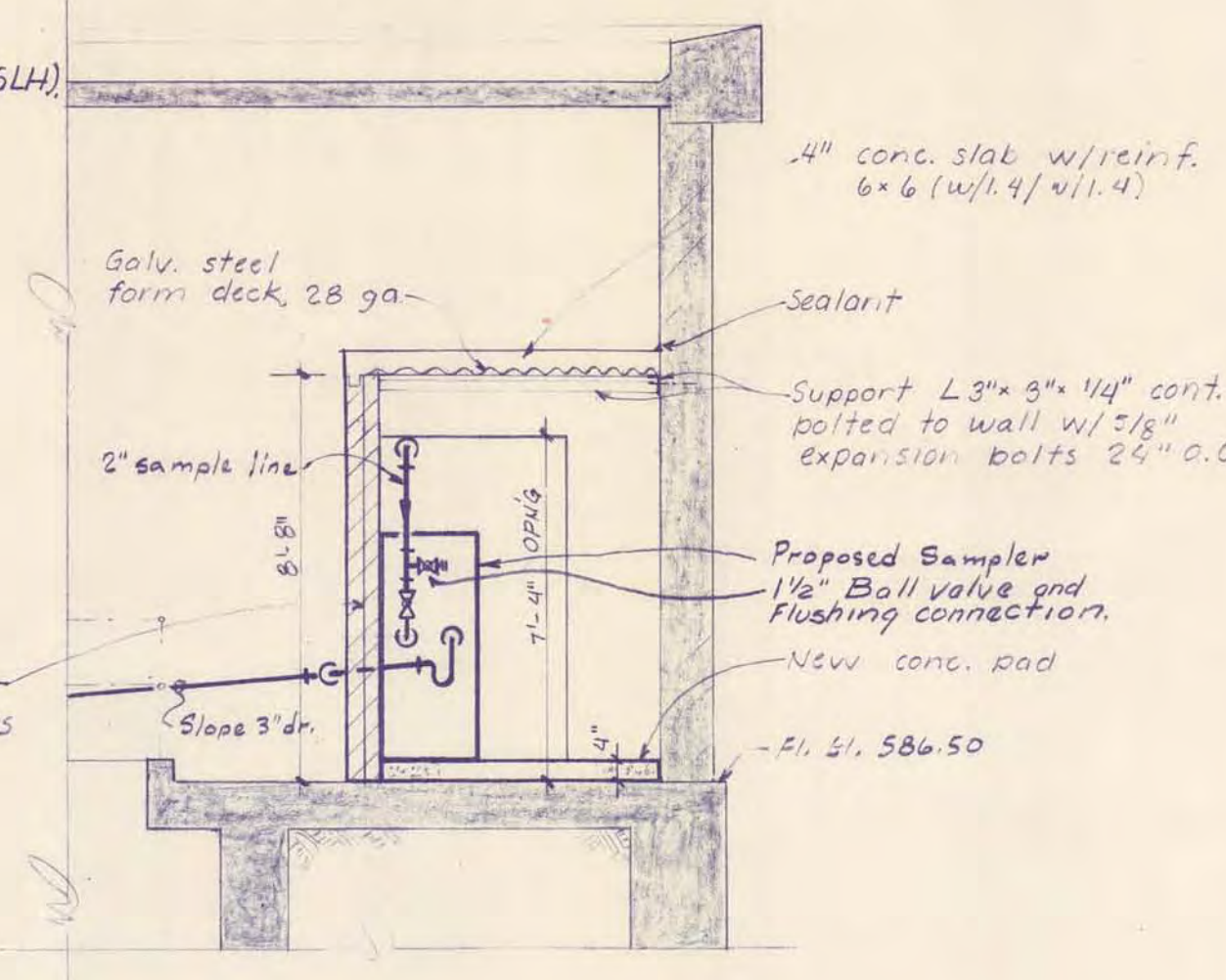
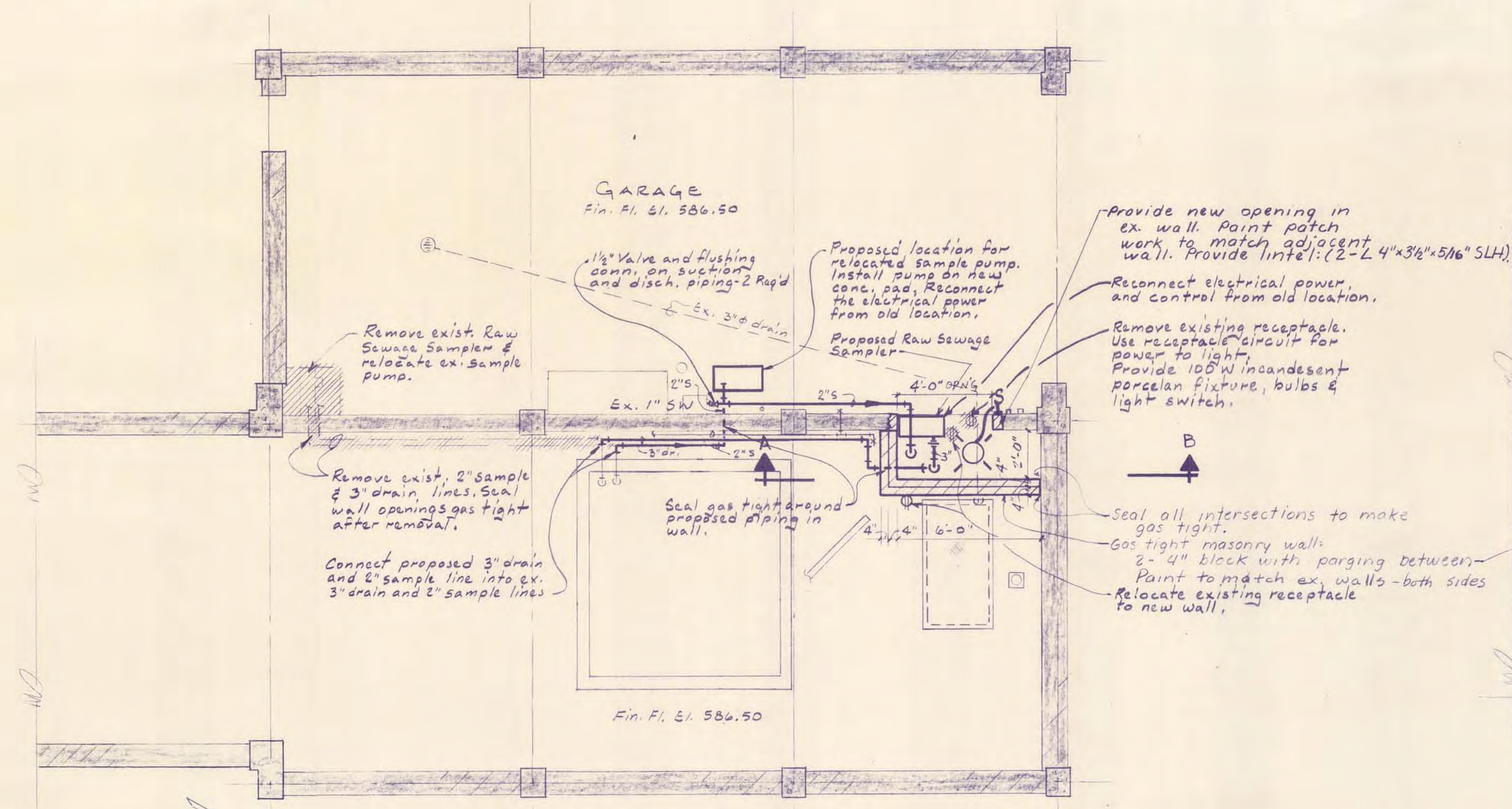
EXISTING SERVICE BUILDING-BASEMENT PLAN
1/4" = 1'-0"

EXISTING SERVICE BUILDING BASEMENT PLAN
1/4" = 1'-0"

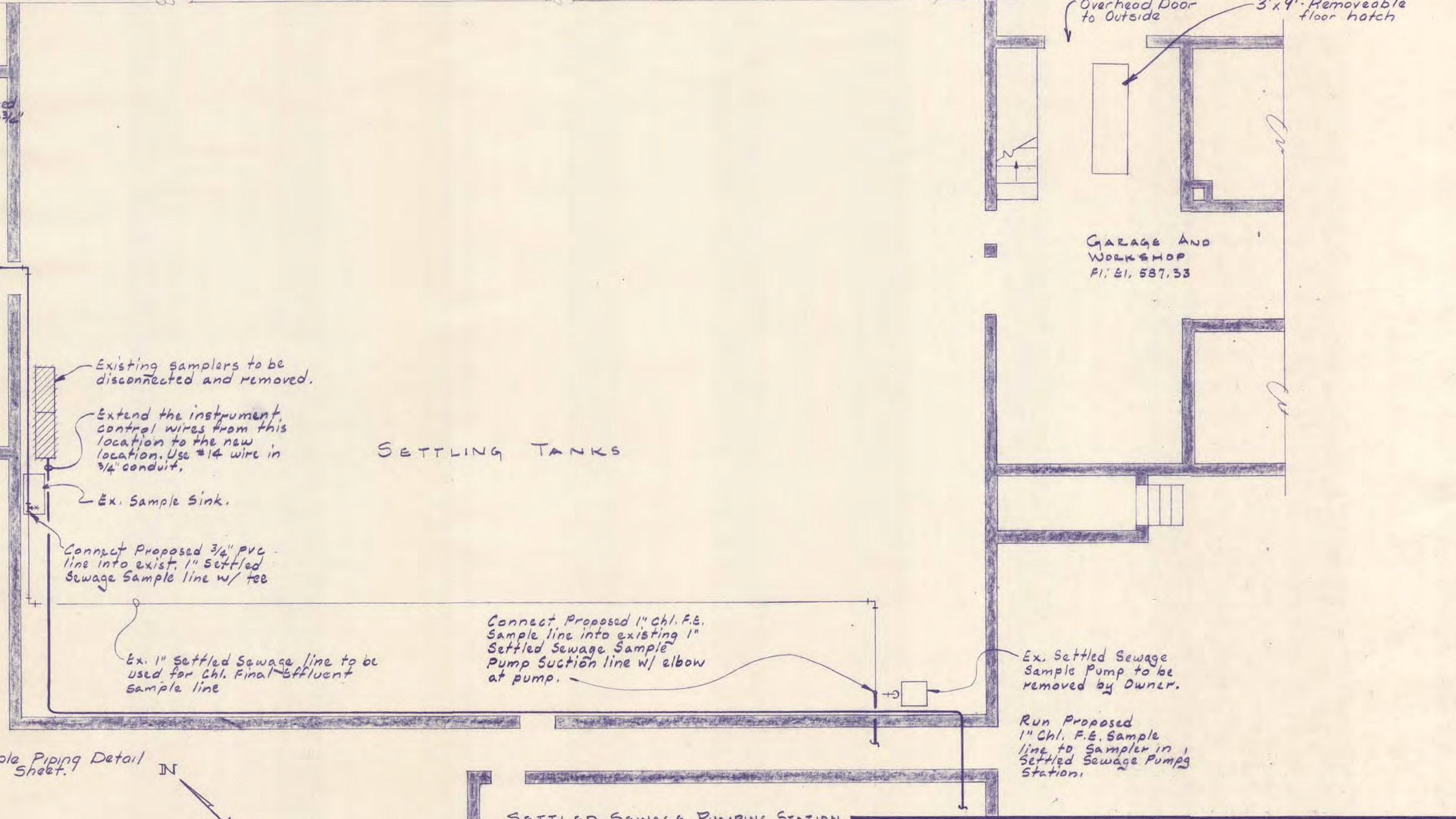
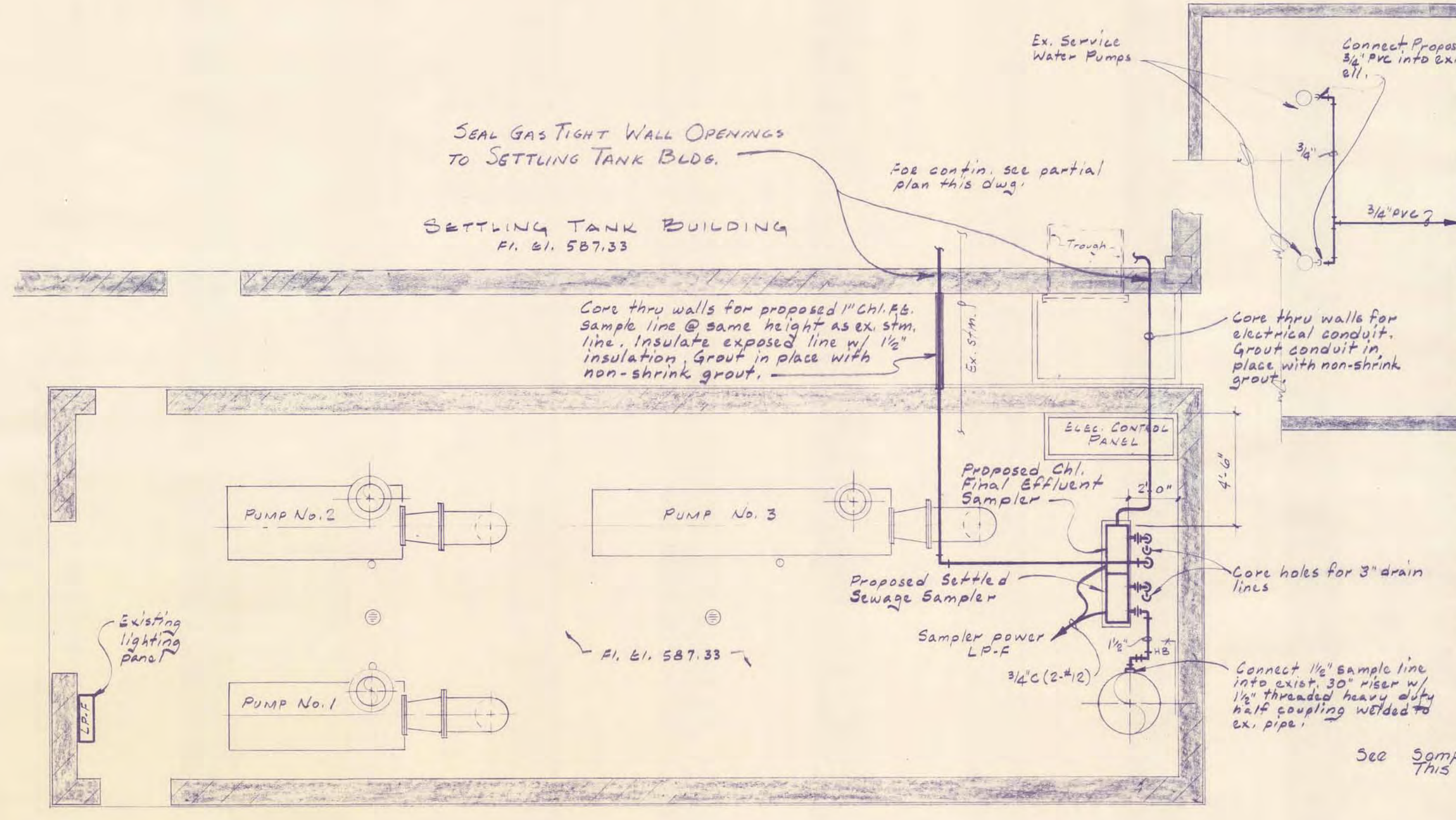
LEGEND

GRAPHIC SYMBOLS FOR VALVES	GRAPHIC SYMBOLS FOR PIPING AND EQUIPMENT ITEMS	PIPING ABBREVIATIONS	GENERAL NOTES
		PW POTABLE WATER	1) A sufficient number of unions shall be provided and installed at each piece of equipment to facilitate removal of equipment without having to cut pipe. 2) Pipe sizes should be the same size or larger than the opening on the equipment they are connected to. 3) Minimum clearance between pipes shall be 3". 4) All instrumentation symbols are ISA Standards. 5) Shut-off valves to be furnished at all equipment locations.
		SW SERVICE WATER	
		HHWS HEATING HOT WATER SUPPLY (BOILER)	
		HHWR HEATING HOT WATER RETURN (BOILER)	
		RS RAW SLUDGE	

M'NAMEE, PORTER AND BEELEY CONSULTING ENGINEERS ANN ARBOR, MICHIGAN		ALPENA COUNTY, MICHIGAN DEPARTMENT OF PUBLIC WORKS WASTEWATER TREATMENT PLANT ADDITIONS	
SCALE As Noted	ISSUED	SITE PLAN	
DRAWN RLL	TRACED	SLUDGE HEAT EXCHANGER AND LEGEND	
ISSUE	NATURE OF REVISION	DATE	
APR 17 1981		CONTRACT 77-5-2	EPA No. C62781-06
		DIV. D	ALPENA COUNTY, MICHIGAN
			OF 3



GRIT CHAMBER BUILDING
1/4" = 1'-0"

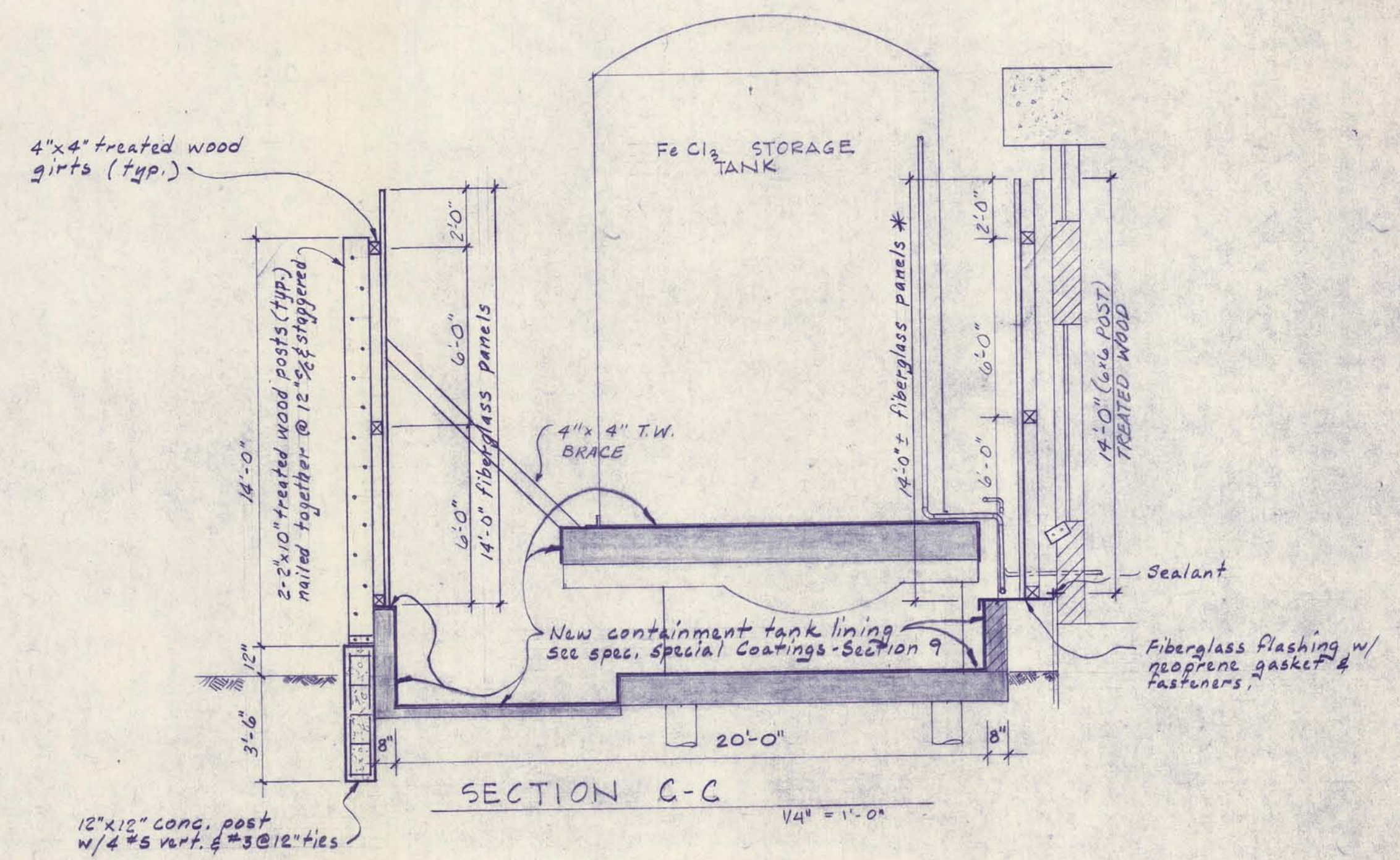
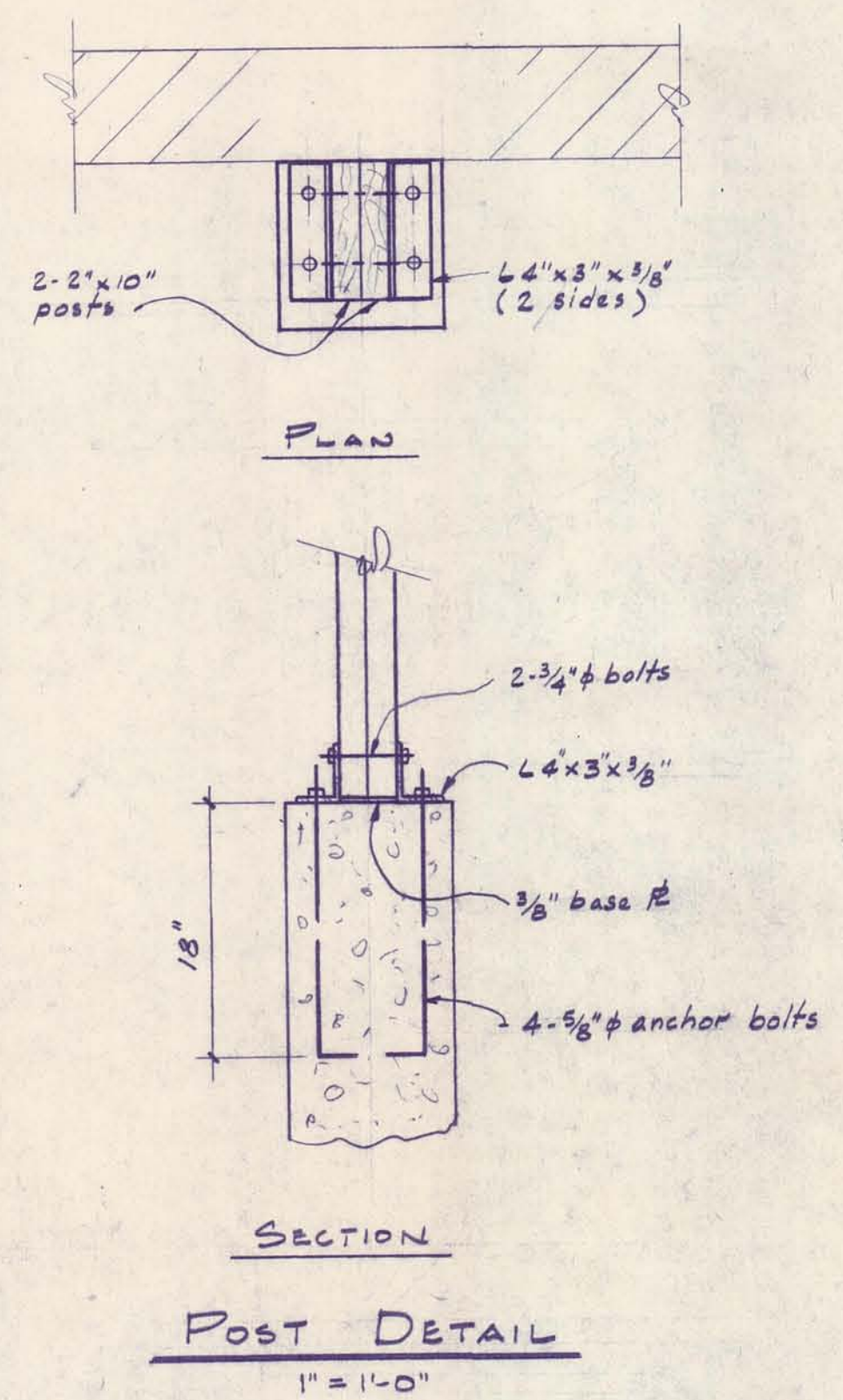
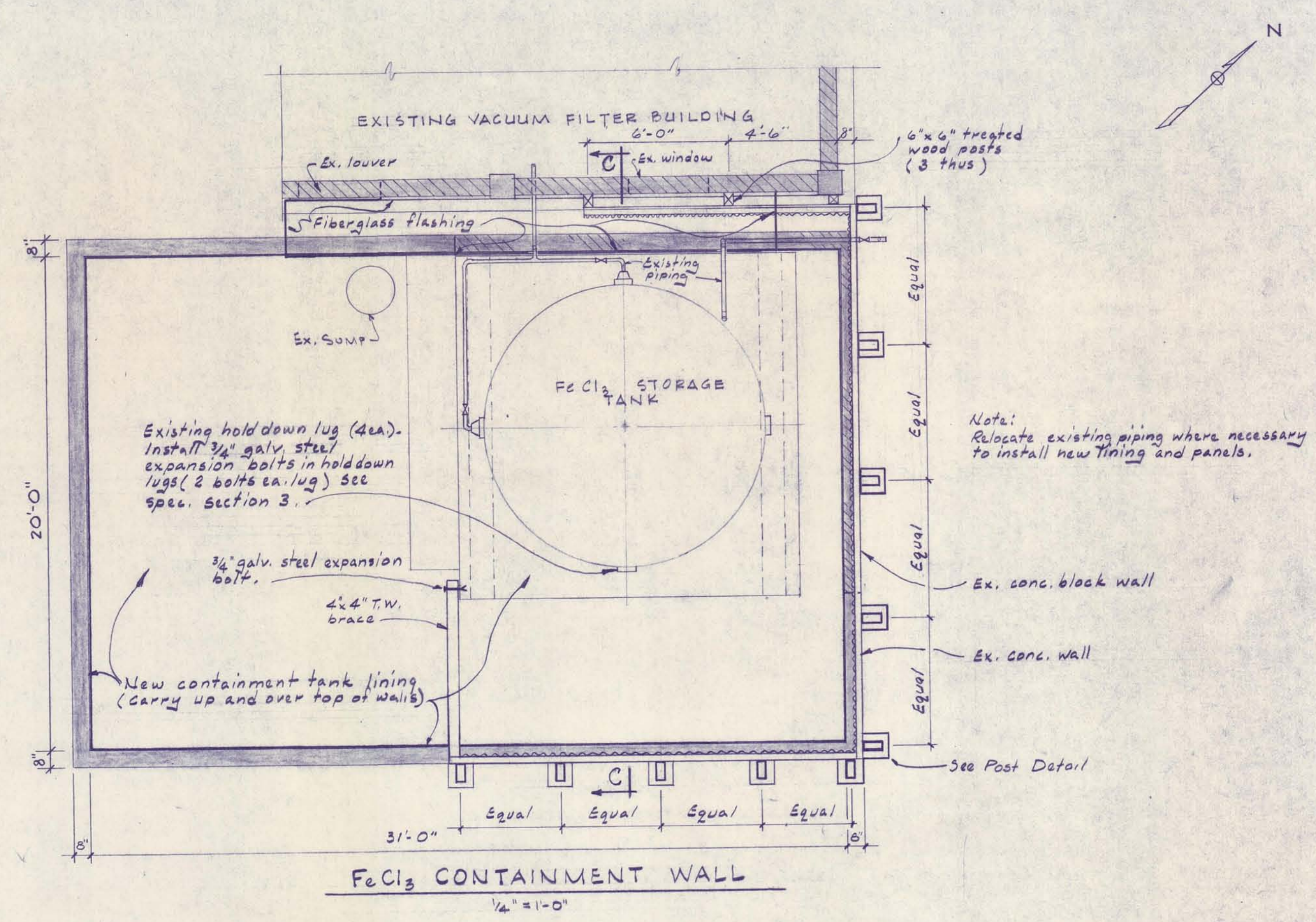


MAIN FLOOR - SERVICE BUILDING
1/8" = 1'-0"

SETTLED SEWAGE PUMPING STATION
(For continuation see partial plan this drawing.)

MCMAMEE, PORTER AND SEELEY CONSULTING ENGINEERS ANN ARBOR, MICHIGAN		ALPENA COUNTY, MICHIGAN DEPARTMENT OF PUBLIC WORKS WASTEWATER TREATMENT PLANT ADDITIONS	
SCALE As Noted	ISSUED	SAMPLER REVISIONS	
DRAWN ELL	TRACED	ISSUE	CHECKED
ISSUE	NATURE OF REVISION	DATE	
APR 17 1981		CONTRACT 77-5-2	EPA NO. C262781-06
		DIV. D	ALPENA COUNTY, MICHIGAN
		SHEET 2 OF 3	

SACCO PRODUCTS • NEW HOPE, MINNESOTA
 REORDER BY PART NUMBER 6552
 SACCO PRODUCTS • NEW HOPE, MINNESOTA
 REORDER BY PART NUMBER 6552
 SACCO PRODUCTS • NEW HOPE, MINNESOTA
 REORDER BY PART NUMBER 6552



MCMANEE, PORTER AND SEELEY CONSULTING ENGINEERS ANN ARBOR, MICHIGAN				ALPENA COUNTY, MICHIGAN DEPARTMENT OF PUBLIC WORKS WASTEWATER TREATMENT PLANT ADDITIONS			
SCALE 1/4" = 1'-0"				ISSUED			
DRAWN KLB	TRACED KLB	CHECKED KLB	DATE	ISSUE	NATURE OF REVISION	DATE	DATE
APR 17 1981				CONTRACT EPA NO. C262781-06 DIV. D ALPENA COUNTY, MICHIGAN			
						SHEET 3	OF 3